

554

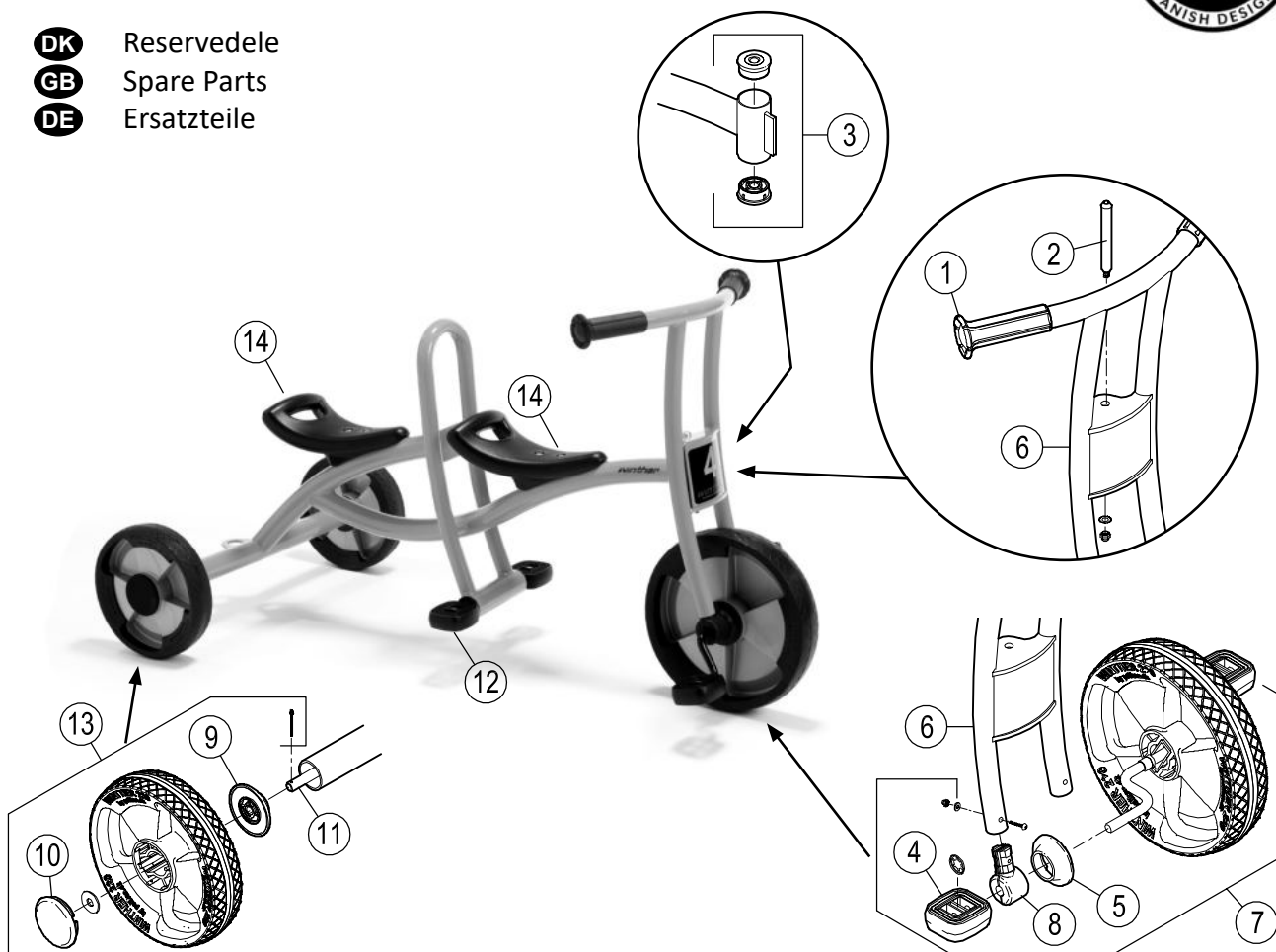


EN 71

ASTM F963



- DK** Reservedele
- GB** Spare Parts
- DE** Ersatzteile



Pos.		Pos.	
1	x2	8	x2 x2 x2 x1
2	x1 x2 x1 x1 x1	9	x2
3	x2	10	x2
4	x2 x2	11	x1 x2 x2
5	x2	12	x1 x2 x2 x2
6		7	
13		14	

554

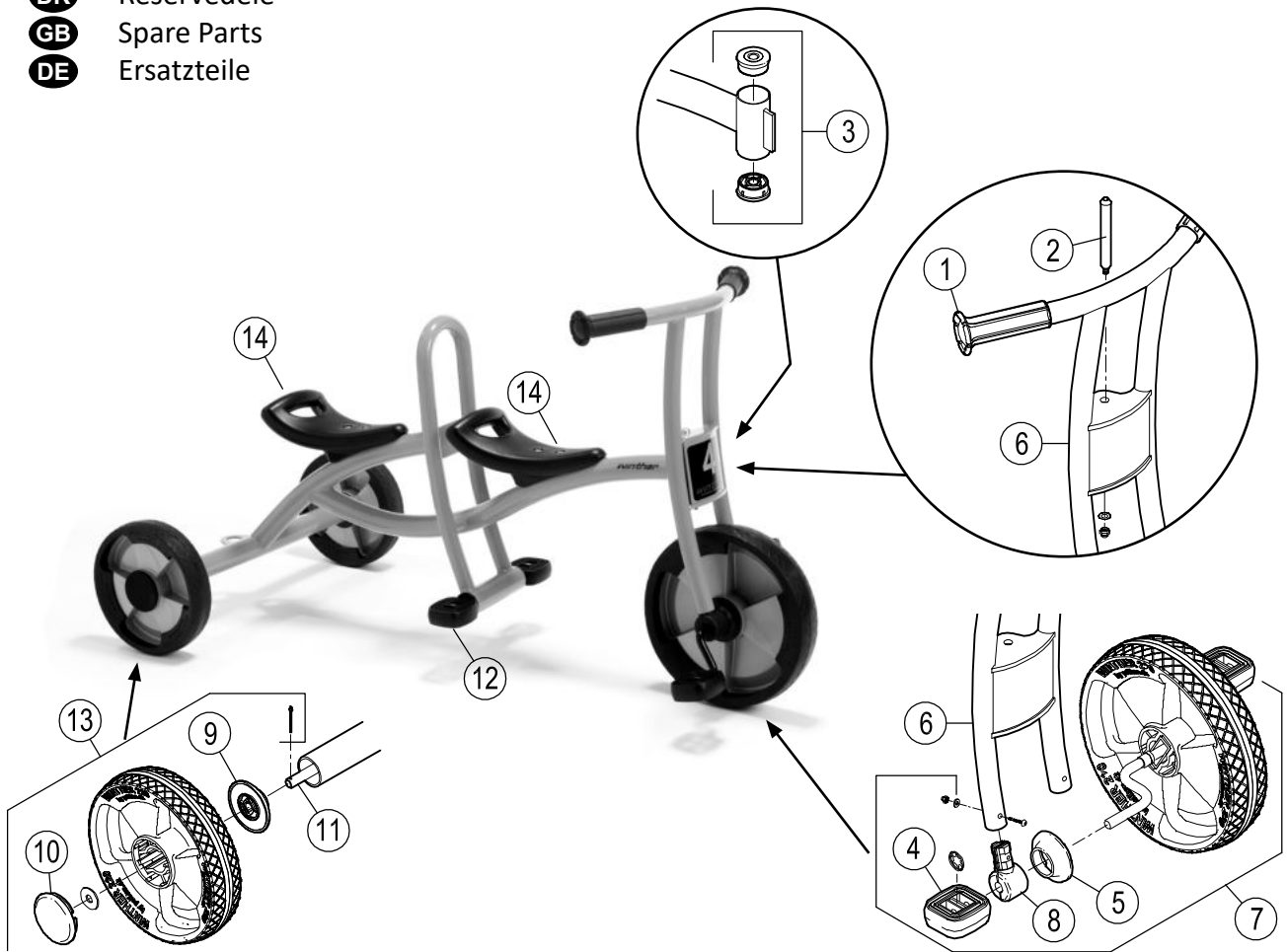


EN 71

ASTM F963



- DK** Reservedele
- GB** Spare Parts
- DE** Ersatzteile



554.00					
Version					
Pos.	4.0				
1	50403				
2	50401				
3	50404				
4	50410				
5	50405				
6	50451				
7	50461				
8	50406				
9	50419				
10	50420				
11	50414				
12	50424				
13	50471				
14	50480				
15	-				
16	-				
17	-				
18	-				

